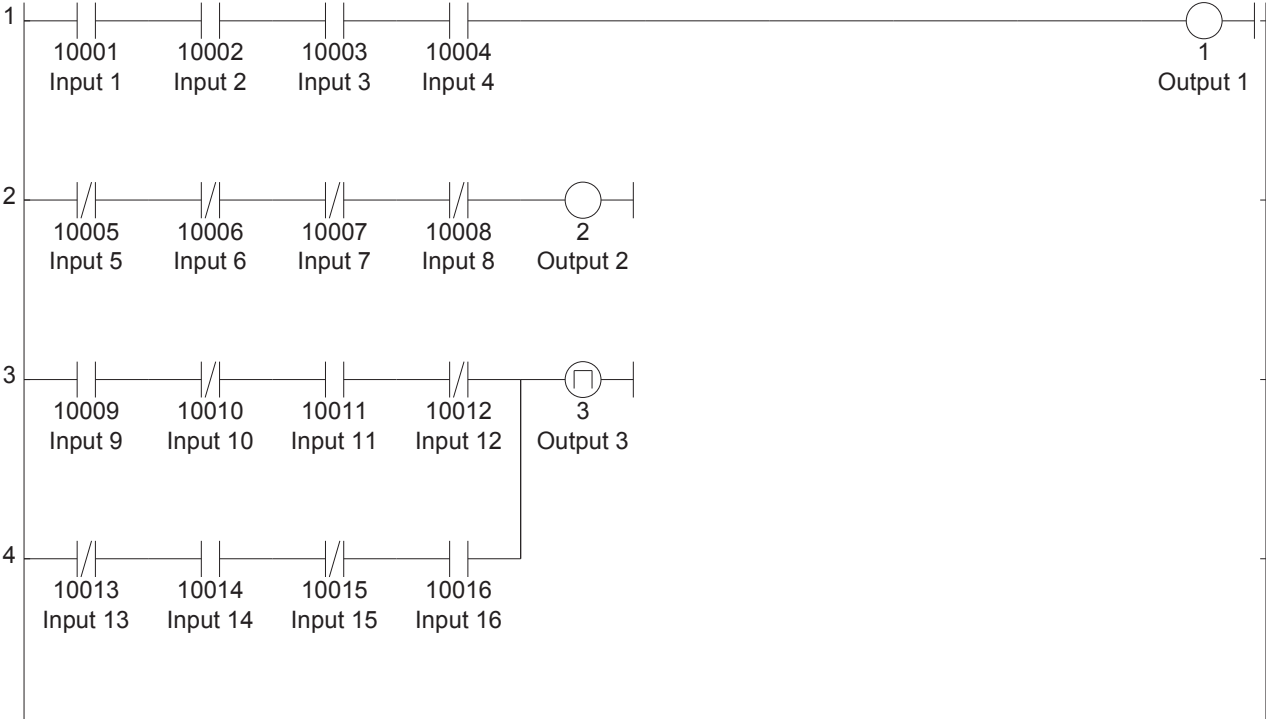
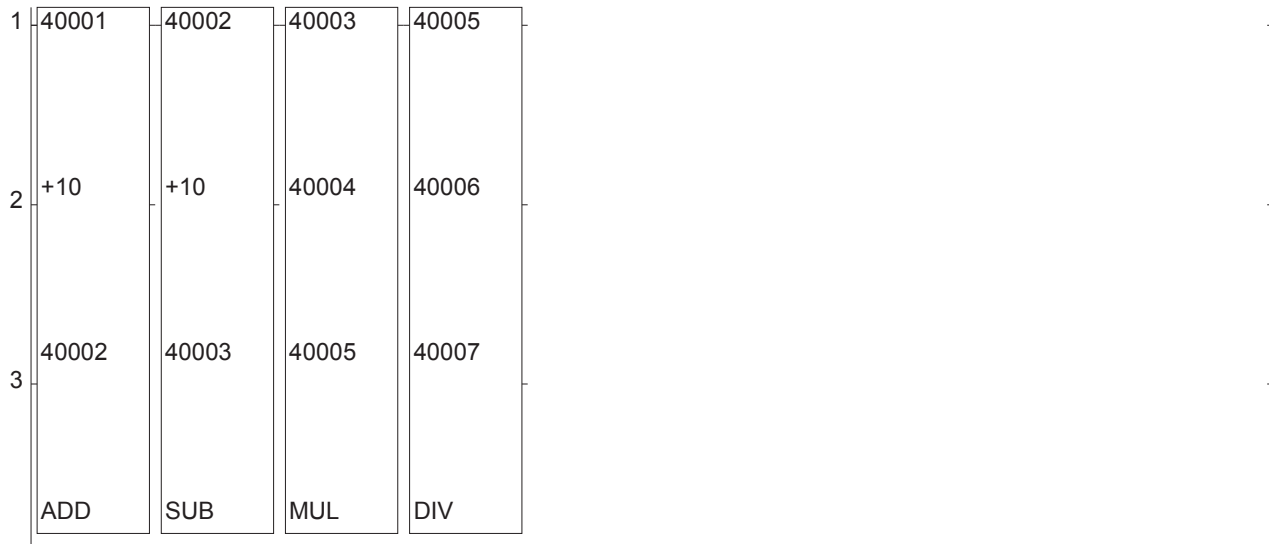


network 1: Logic

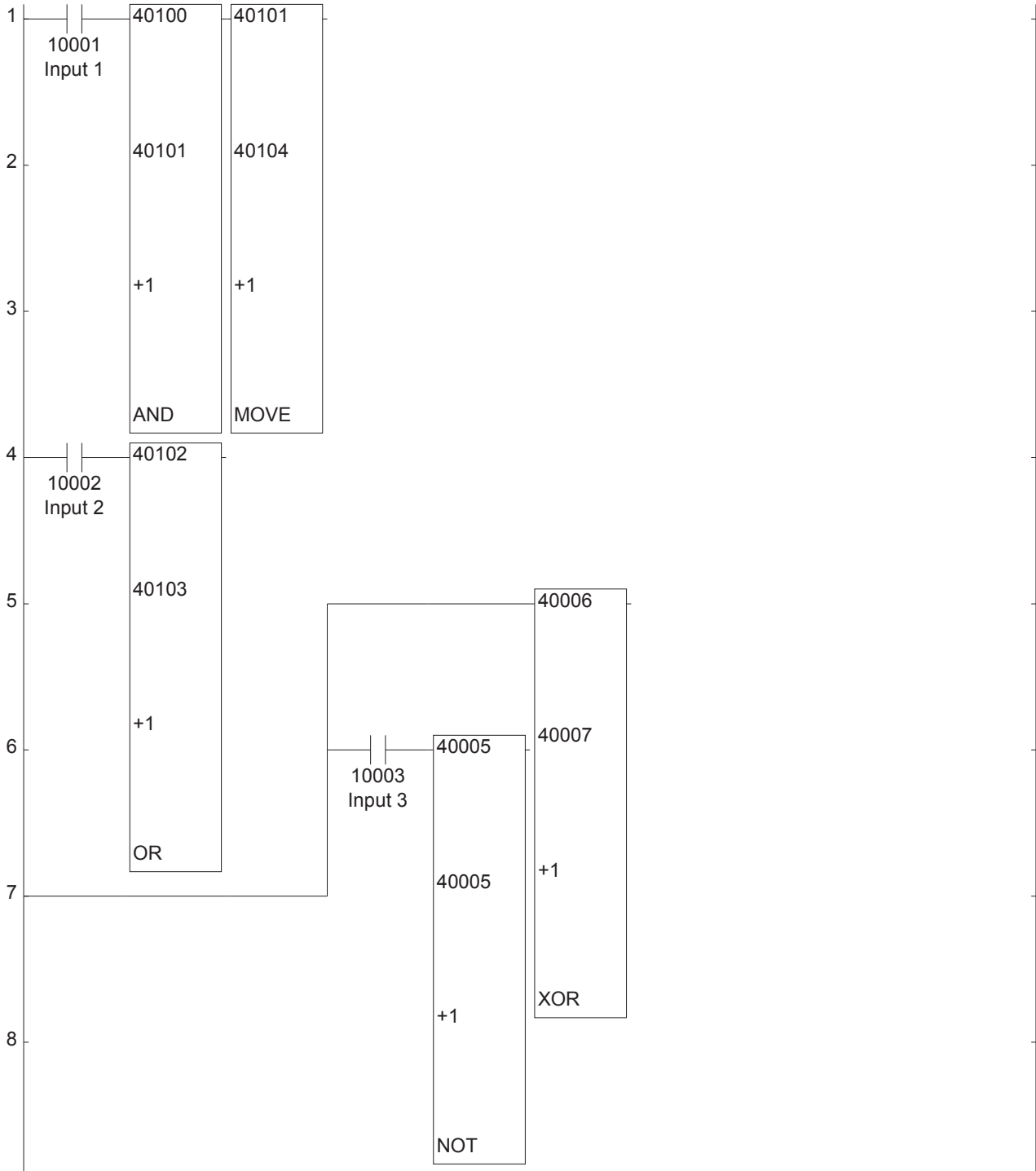
This program is totally useless...
Unless you want to see how instructions convert, then read on.



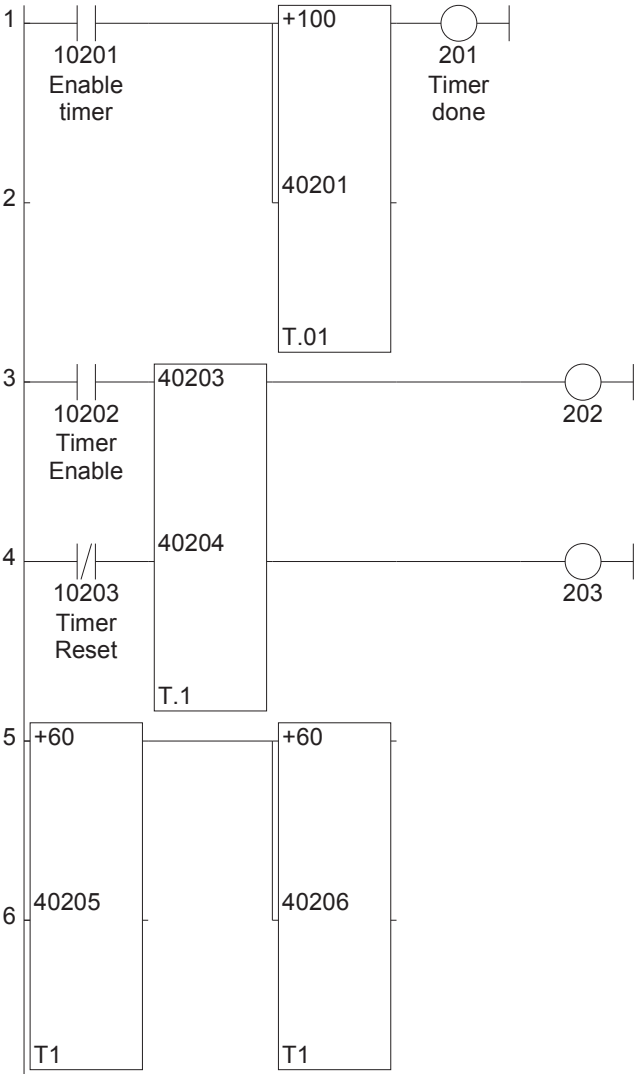
network 2: Math



network 3: Register



network 4: Timers



network 5: Counters

